

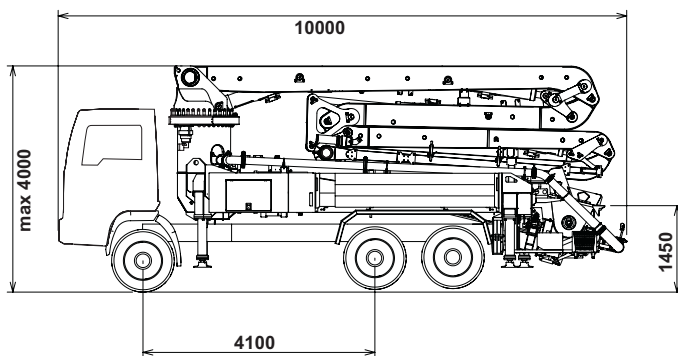
K31L

TRUCK-MOUNTED CONCRETE BOOM PUMP

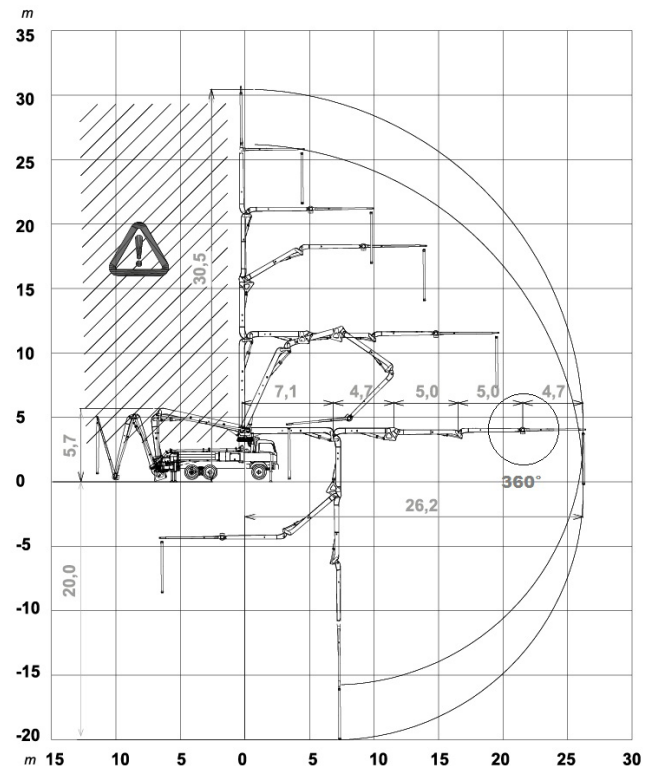
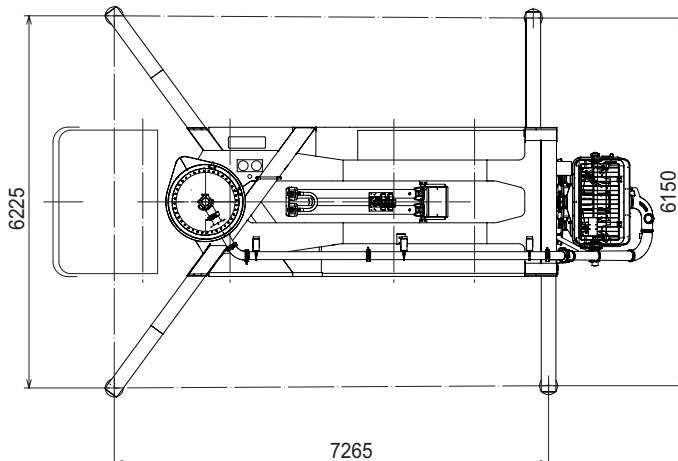
Placing boom	B5Z 31/27
Pumping unit	HP1606H HP1608EC
Driven by	PTO o Gear box
Chassis	3 - 4 axles



Dimensions



Dimensions varying according to truck assembly



K31L

Standard equipment

- Assembling on standard 3 or 4 axles chassis
- Self-supporting frame, torsion free, FEM designed
- Placing boom B5Z 31/27, 5 sections, 125 mm pipeline diameter, "Z" folding system and rotor last section **Patented** for continuous rotation on 5th section
- Fully hydraulic outrigger controls on both sides of the truck
- Front outriggers "X" style for a quick set-up and easy pump placement in narrow areas
- "Load Sensing" proportional boom control for pumping unit HP-C
- Concrete flow rate regulator
- Safety device on opening inspection hatch
- Pumping unit with closed loop (HP1608EC) or open loop (HP1606H)
- Project conforms to Directive Machinery 2006/42/CE
- 2 Proportional radio control Hetric 3 joystick. 20 mt cable
- Double thickness concrete pipes, in high resistant steel and insert carbide chrome - CIFA Long Life Pipes
- Emergency control pad for pumping unit HP-C
- Remote controlled electric vibrator placed on the concrete hopper grid
- Centralized lubrication system for pumping unit
- Automatic oil lubrication system for pumping pistons
- Additional manual lubrication system for pumping pistons
- Hard plastic outrigger support plates with relative housing
- Rear light on hopper
- Level readers for stabilization control
- Accessories for cleaning and pipes washing
- Fiber glass hopper covering

Control System with pumping unit HP1608EC

- Smartronic Silver:
 - intergrated color LCD
 - counters
 - pumping unit management
 - diagnostic
 - capsense rear panel

Control System with pumping unit HP1606H

- Easytronic Silver:
 - intergrated LCD
 - counters
 - pumping unit management
 - diagnostic

Main options

- Smartronic Gold (Smartronic Silver + ASC Advanced Stability Control)
(Available only with closed loop)
- Easytronic Gold (Easytronic Silver + LSC Light Stability Control)
(Available only with open loop)
- Pompa acqua ad alta pressione (28l/120 bar)
- High pressure water pump 28l / 120 bar
- Centralized lubrication system for placing boom
- Separated emergency engine kit for independent control of the concrete pumping unit, boom and water pump
- Double thickness boom straight pipes, in high resistant steel and insert carbide chrome - CIFA LLT Long Life Top
- Proportional radio control with display

TRUCK-MOUNTED CONCRETE BOOM PUMP

Placing boom	B5Z 31/27
Pumping unit	HP1606H HP1608EC
Driven by	PTO o Gear box
Chassis	3 - 4 axles

Pumping unit technical data

Model		HP1606H	HP1608EC
Max. theoretical output	<i>m³/h</i>	160	160
Max. pressure on concrete	<i>bar</i>	53	80
Conc. cylinders (diam. x stroke)	<i>mm</i>	230x2100	230x2100
Concrete hopper capacity	<i>l</i>	550	550
Hydraulic circuit		open	closed

Placing boom technical data

Model		B5Z 31/27
Pipeline diameter	<i>mm</i>	125
Max. vertical reach	<i>m</i>	30,5
Max. horizontal distance	<i>m</i>	26,2
Min. unfolding height	<i>m</i>	5,7
Section numbers		5
1st section opening angle		90°
2nd section opening angle		180°
3rd section opening angle		240°
4th section opening angle		180°
Rotation 5th section		Continuous
Rotating angle		+/-270°
End hose length	<i>m</i>	4

Technical data and characteristics subject to modifications without notice