

**RELIABLE**

**EASY TO USE**

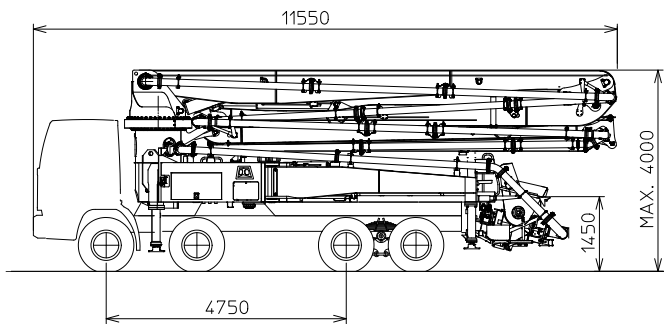
**TRUCK-MOUNTED  
CONCRETE BOOM PUMP**

Placing boom  
Pumping unit  
Driven by  
Chassis

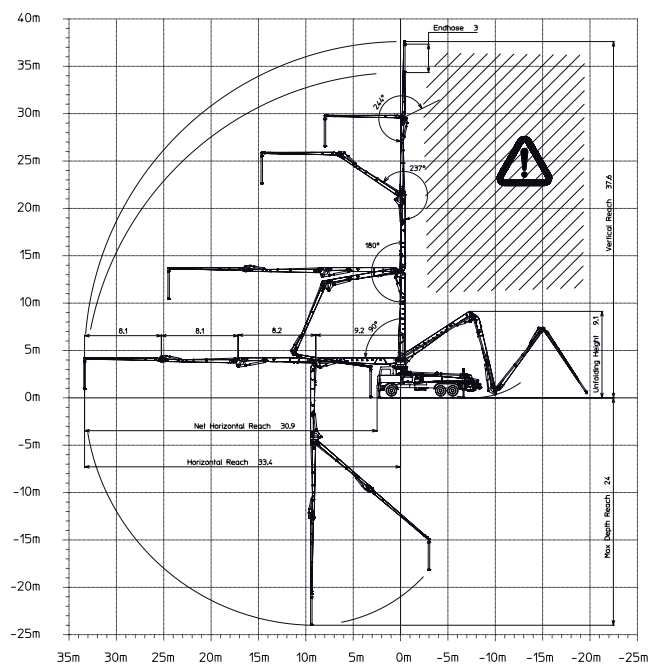
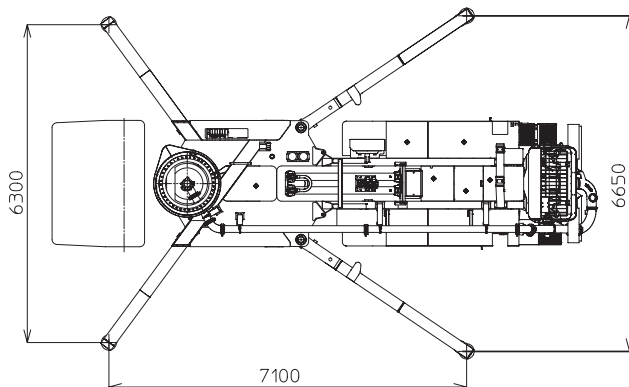
K38C  
PU1506  
Truck PTO or Gear box  
4 axles



## Dimensions



Dimensions varying according to truck assembly



### Standard equipment

- Advantageous assembling on 4 axles chassis
- Self-supporting frame, torsion free, FEM designed and fatigue tested at the test bench TEC CIFA
- Placing boom 4Z 38/34, 4 sections, "Z" folding system
- 2 Proportional radio controls with two speeds boom movement, automatic frequency scanner
- 20 m emergency cable to connect radio controls.
- Centralized lubrication system for pumping unit
- Hard carbide wear plate and cutting ring for PU pumping units
- Fiberglass hopper covering
- Low pressure water pump (20 Bar / 75 l/min)
- One colour painting white RAL 9010
- 2 Use & Maintenance manuals
- Spare parts and service manual

### Control system with truck PTO

- Easytronic Gold:
  - LSC (Light Stability Control)
  - Integrated color LCD
  - Counters
  - Pumping unit management
  - Diagnostic

### Control system with gear box

- Easytronic Silver:
  - Integrated color LCD
  - Counters
  - Pumping unit management
  - Diagnostic

### Main options

- 2 Proportional radio controls HBC (in replacement of the standard)
- High pressure water pump 120 bar / 28 l/min - 40 kg
- Concrete shut off on endhose - 2 kg (includes air pipeline on placing boom)
- First aid kit for pumping unit
- Emergency button panel for PU pumping unit
- Additional endhose double stapling

MANUFACTURING	CIFA HUNAN
TRUCK ASSEMBLY	CIFA ITALY
TESTING	CIFA ITALY
CE CERTIFICATION	CIFA ITALY
WARRANTY	CIFA ITALY

## TRUCK-MOUNTED CONCRETE BOOM PUMP

**Placing boom  
Pumping unit  
Driven by  
Chassis**

K38C  
PU1506  
Truck PTO or Gear box  
4 axles

### Pumping unit technical data

Model		PU1506
Max. theoretical output	<i>m<sup>3</sup>/h</i>	150
Max. pressure on concrete	<i>bar</i>	53
Conc. cylinders (diam. x stroke)	<i>mm</i>	230x2100
Concrete hopper capacity	<i>l</i>	550
Hydraulic circuit		open

### Placing boom technical data

Model		B4Z 38/34
Pipeline diameter	<i>mm</i>	125
Max. vertical reach	<i>m</i>	37,6
Max. horizontal distance	<i>m</i>	33,4
Min. unfolding height	<i>m</i>	9,1
Section numbers		4
1st section opening angle		90°
2nd section opening angle		180°
3rd section opening angle		237°
4th section opening angle		244°
Rotating angle		+/-270°
End hose length	<i>m</i>	4

*Technical data and characteristics subject to modifications without notice*